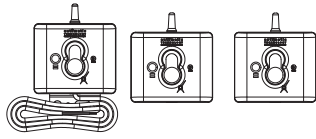


# Safety Beam Kits

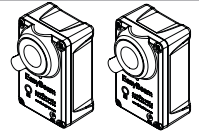
## Wiring and Installation Instructions

### Wireless WPE-1v1



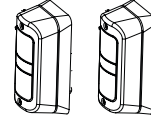
WPE-1V1 KIT - ATA ORDER NO. 61957, B&D ORDER NO. 70300		
ITEM	DESCRIPTION	QTY
1	WPB-04.02 TX ASSEMBLY	1
2	WPB-04.02 RX ASSEMBLY	1
3	WPB-04.03 BASE STATION ASSEMBLY	1
4	MOUNTING KIT	1
FLUSH MOUNTING KIT -		
5	PEB4-W1 BRACKET	2
6	TAPTITE SCREW "P" M3 X 8	8
7	SELF TAPPING SCREW M6 X 25	4
8	PLASTIC WALL PLUG 6.7 X 25	4
PEB4-W1 HARDWARE KIT 2 -		
9	PLASTIC WALL PLUG 6.9 X 25	2
10	SELF TAPPING SCREW M6 X 25	2
11	TAPTITE SCREW "P" BLACK ZNC M3 X 12	8
12	HEX SERRATION FLANGE NUT M6	1
13	HEX SERRATION HEAD SCREW M6 X 16	1

### EasyBeam™ PE-3v1



EASYBEAM P.E. 3-V1 KIT ATA ORDER NO. 61904, B&D ORDER NO. 62626		
ITEM	DESCRIPTION	QTY
14	EASYBEAM RX-TX SET	1
4	MOUNTING KIT	1

### PE 2000TS



PE 2000TS KIT - ATA ORDER NO. 61903, B&D ORDER NO. 62852		
ITEM	DESCRIPTION	QTY
15	PE BEAM IR-2000TS	1
4	MOUNTING KIT	1
ACCESSORY KIT -		
16	RESISTOR 2K2 PACK	1
17	RESISTOR 5K6 PACK	1
INTERFACE KIT V2 (ACB / DCB BOARDS ONLY) -		
18	HARNESS P.E. RX 24AWG 10M	1
19	HARNESS P.E. RX-TX 17M	1



**WARNING!** The Opener must be fitted with Safety Beams if:

- the closing force at the bottom edge of the door exceeds 400N (40kg) and/or;
- the opener has a smart device fitted to operate the door, when not in line-of-sight as per; AS/NZS 60335-2-95:2012 Amendment 2:2018.

## Important Safety Instructions



### WARNING!

- When using Safety beams, the doorway / gateway must be clear of all obstructions and persons at all times. The location of the beams and manner in which they are installed might not give safety protection at all times.
- The sensors need to be 100mm above the floor level, however, the exact position must be chosen in such a manner that it suits the application, the environmental conditions and provides maximum safety protection.
- When using auto close mode, a Safety beam must be fitted correctly and tested for operation at regular intervals. Extreme caution is recommended when using auto close mode. All safety rules must be followed.
- Disconnect the power cord from mains power and battery backup (if installed) before making any repairs or removing covers on openers.



### ELECTROCUTION!



### CAUTION:




Fall from ladder

Entrapment

- Ensure ladder is the correct type for job.
- Ensure ladder is on flat ground.
- Ensure user has 3 points of contact while on ladder.
- Ensure the garage door / gate is in good working order by undertaking regular servicing.
- Safety beams must be installed if the closing force at the bottom edge of the door / gate exceeds 400N (40kg)

# Safety Beam Compatibility

Safety Beams (SB) extend across the opening. The Safety Beam is designed to detect an obstruction while the door / gate is closing and to send a signal to the opener to reverse or stop the door / gate movement. There are three (3) different types of Safety Beam Kits available and they are not compatible with all products. Please refer to table below for product and Safety Beam compatibility.

PRODUCT	EASYBEAM 	WIRELESS 	PE 2000TS 	NO. OF SB INPUTS	RESISTOR
<b>GARAGE DOOR OPENERS</b>					
GDO-6V3			•	x 1	2.2K
GDO-6V4	•	•		x 2	
GDO-8V3			•	x 1	2.2K
GDO-9V2, GDO-9V3			•	x 1	2.2K
GDO-9V2G2, GDO-9V3G2	•	•		x 2	
GDO-11V1,			•	x 1	2.2K
RDO-1V3, RDO-1V4	•	•		x 2	
SDO-2V1, SDO-3V1			•	x 1	2.2K
SDO-2V2, SDO-3V2, ADVANCE & PRODIGY	•	•		x 2	
SDO-4V1, GDO-11V3	•	•		x 2	
<b>LIGHT COMMERCIAL OPENERS</b>					
GDO-10V1			•	x 1	5.6K
GDO-10V2	L1 CONSOLE	•	•	x 1	5.6K
	L2 CONSOLE	•	•	x 3	
GDO-10V3L2	L2 CONSOLE	•	•	x 3	
<b>GATE OPENERS</b>					
DCB-05			•	x 1	5.6K
DCB-05V2	•	•	•	x 2	5.6K
NEOSLIDER NES24			•	x 1	5.6K
NEOSLIDER V2, NEOSLIDER V3	•	•	•	x 2	5.6K
<b>INDUSTRIAL OPENERS</b>					
AXESS 1101			•	x 1	5.6K
AXESS 1505	L2 CONSOLE	•	•	x 3	
AXESS 3000 PRO SERIES	L1 CONSOLE	•	•	x 1	5.6K
	L2 CONSOLE	•	•	x 3	

## Mounting Brackets

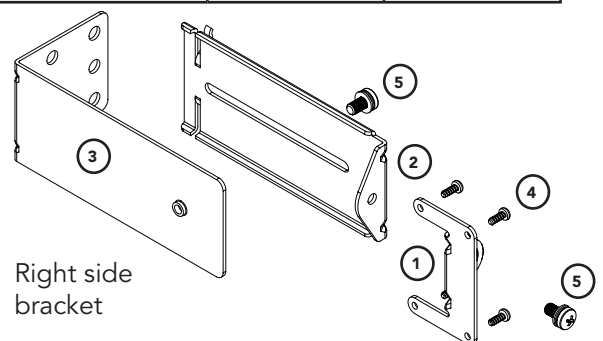
All three (3) types of Safety Beam Kits use the same mounting brackets.

### Mounting Kit for all Safety Beams

**NOTE:** Mount the receiver on the side of the doorway / gateway closest to the opener / console.

#### Assembling the Mounting Bracket

- Attach the PE 2000TS Bracket (1) to the Safety Beam Transmitter (TX) using four (4) M3 x 5 Taptite screws (4).
- Connect the mounting bracket (3) to the adjustment bracket (2) with two (2) of the M5 x 10 Pan Head Screws (5).
- Repeat steps (a) and (b) to assemble the Safety Beam Receiver (RX).
- Mount the receiver on the side of the doorway / gateway closest to the opener / console and the transmitter on the other side in line with the receiver. The mounting surface should be rigid. Affix with a minimum of four (4) screws (not supplied).

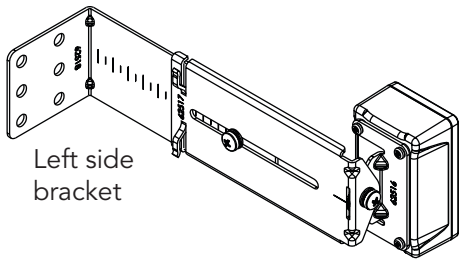


Right side bracket

MOUNTING KIT		
ITEM	DESCRIPTION	QTY
1	PE 2000TS BRACKET	2
2	ADJUSTMENT BRACKET	2
3	MOUNTING BRACKET	2
4	TAPTITE SCREW "B" PH M3 X 5 ZNC	8
5	PAN HEAD SCREW W/WASHER M5 X 10	4

# EasyBeam™ Kit PE-3v1

Refer to compatibility table (page 2) for Product compatibility.

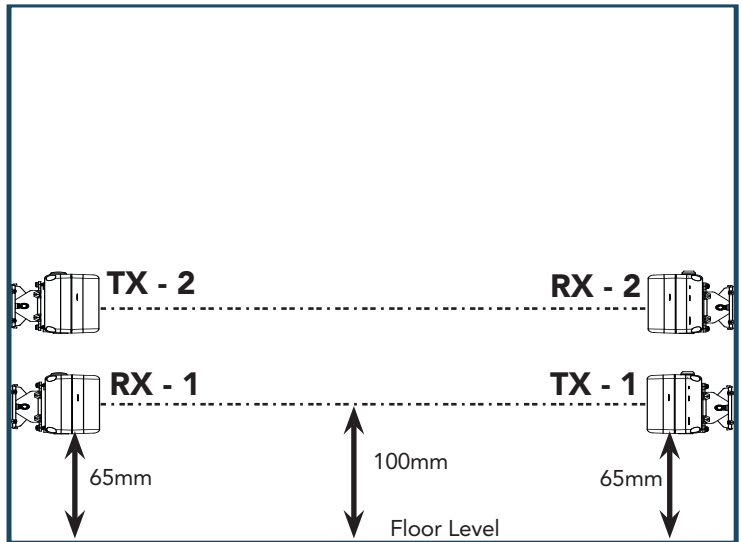
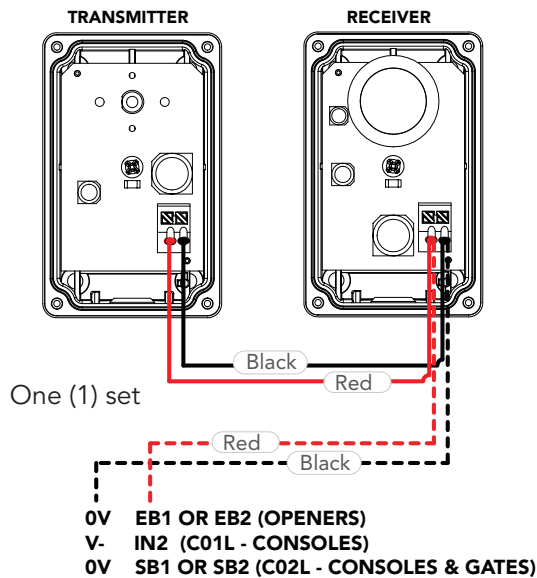


**NOTE:** Mount the receiver on the side of the doorway / gateway closest to the opener / console.

### Assembling the Mounting Bracket

Assemble the mounting bracket as per instructions on page 2.

**NOTE:** When using two (2) sets of Safety Beams within the opening you must alternative the configuration. See diagram below.



ATA recommends the transmitter and receiver are placed in line of sight, with the beam 100mm above the ground level (as per AS60335). This can be achieved by ensuring the bottom of the receiver and transmitter are 65mm above ground level. They should also be placed as close as possible to the door / gate opening. In industrial applications it is recommended that multiple Safety Beams are fitted.

### Wiring the EasyBeam™ PE-3v1

a. Connect the EasyBeam™ to the opener / console as per the first wiring diagram for one (1) set of safety beams or second wiring diagram for two (2) sets of safety beams.

### Aligning the Transmitter and Receiver

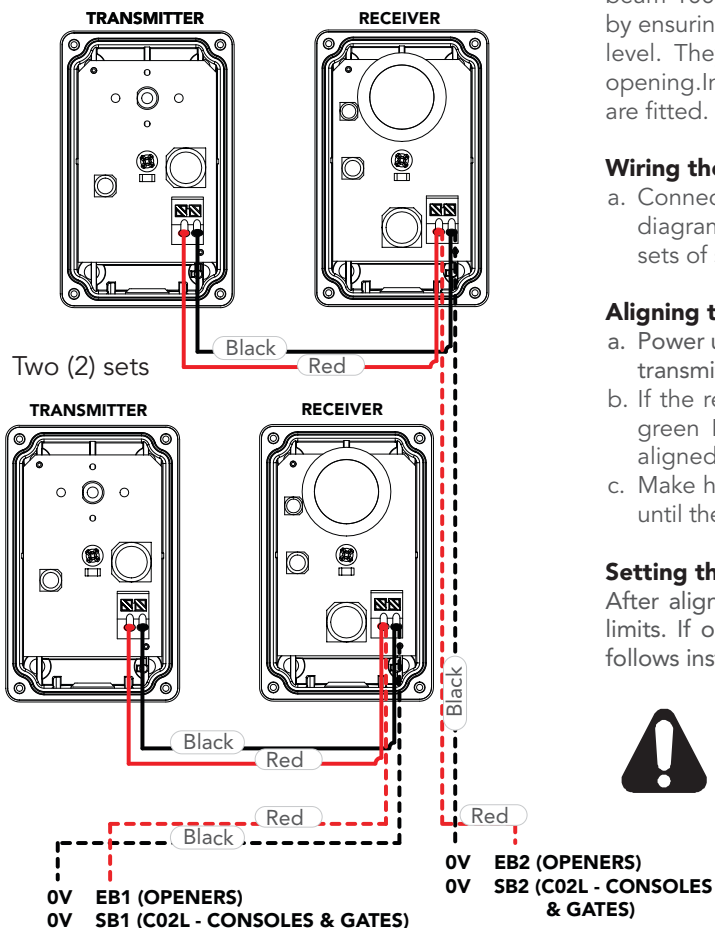
- Power up the opener with the safety beams connected. The green LED on the transmitter should turn ON to indicate power is present.
- If the receiver is connected to power and the red LED is flashing while the green LED on the transmitter is on, the transmitter and receiver are not aligned.
- Make horizontal and/or vertical adjustment on the transmitter and/or receiver until the red LED on the receiver turns on, indicating alignment.

### Setting the limits

After aligning the safety beams, refer to the openers manual to set the travel limits. If opener has been installed previously, ensure you clear the limits and follows instructions to set limits again.



**WARNING!** When using PE Beams, the doorway must be clear of all obstructions and persons at all times. The location of the beams and manner in which it is installed might not give safety protection at all times. Check to make sure that the height of the beam and type used give maximum protection possible.

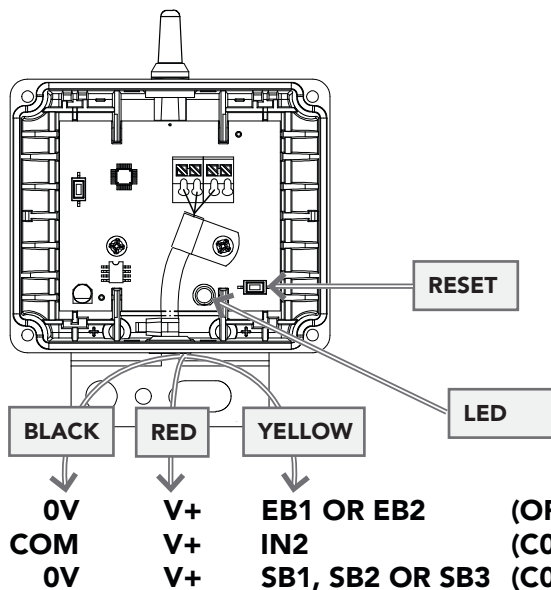


# Wireless Kit WPE-1v1

Refer to compatibility table (page 2) for Product compatibility.

## Wiring the Base Station to the Opener

- Power off Opener.
- Connect the Wireless WPE-1v1 Base Station to the opener / console as per wiring diagram below.



**NOTE:** Multiple Sets of Wireless WPE-1v1 can be connected to certain openers and the C02L Console. Gather the set of black wires together and insert into the same terminal as per above wiring diagram. The same process applies to the red wires. The yellow wires are individually inserted into to EB1 and EB2 (openers) or SB1, SB2 and SB3 (C02L Console)

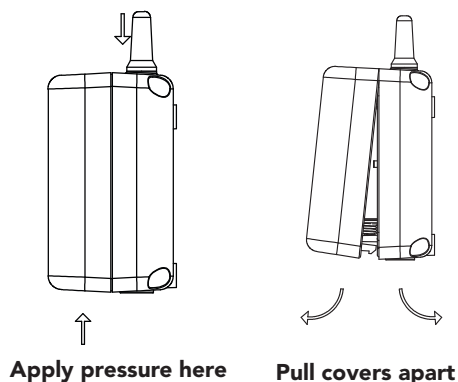
## Fixing the Base Station to Wall/Opener

The base station can be fixed to the wall using the two (2) 6.9 x 25 plastic wall plugs (9) and two (2) M6 x 25 self tapping screws (10). It can also be attached directly to a sectional opener using the M6 x 16 Hex serration head screw (13) and M6 Hex serration flange nut (12). The wire can be fed through the top gromet of the opener.

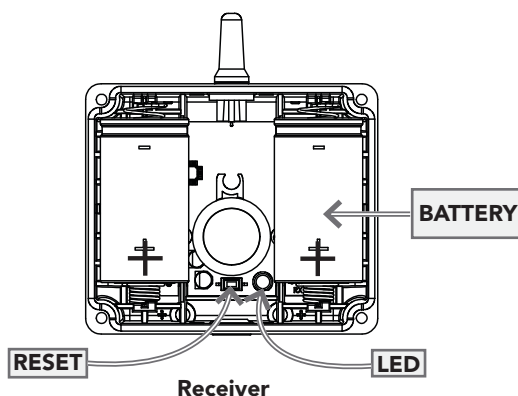
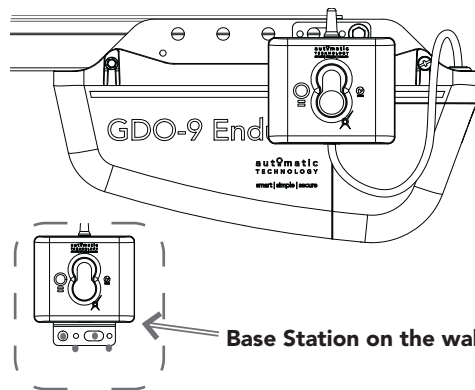
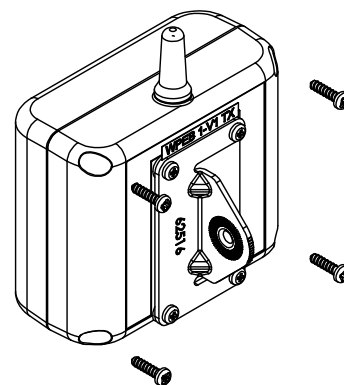
**NOTE:** The bracket may also be rotated so the base station hangs above the power head.

## Inserting batteries into receiver and transmitter

- Insert two (2) C-Type batteries in the Receiver (WPB-4.02 RX) by removing the front cover.
- The LED on the receiver will light up and after the communication is established between the receiver and base station the LED on the base station and the receiver will turn off. This can take up to 60secs.
- Repeat step (a) to insert batteries into the Transmitter (WPB-4.02 TX).
- The LED on the transmitter will light up and after communication is established between the transmitter and base station the LED on the transmitter and on the receiver will start to flash.
- The flashing indicates the link is established between the transmitter and base station, receiver and base station, but receiver and transmitter are not yet aligned.
- Put cover back on Transmitter and Receiver and secure with eight (8) M6 x 25 screws (black) (11).



**WARNING!** When using the C01L Console ensure that the "PE Beam Type" (Menu 6.4) is set to "2-wire" mode before setting limits.



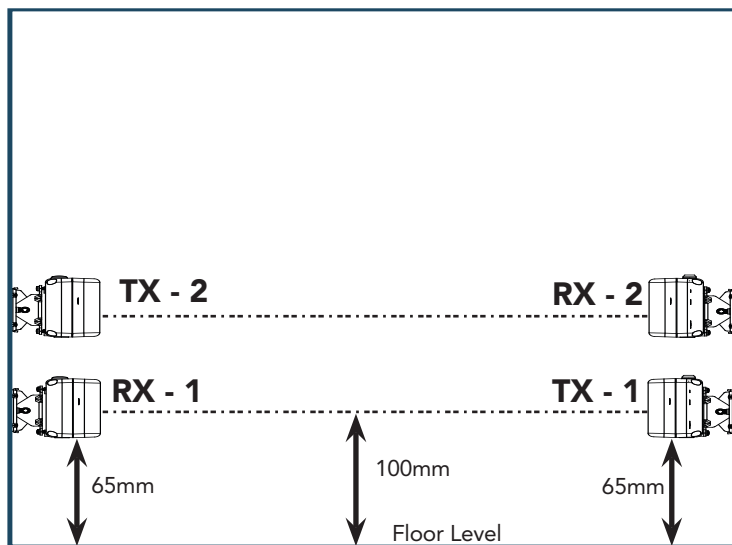
# Wireless Kit WPE-1v1

Continued . . .

## Assembling the Mounting Bracket

- Attach the PE 2000TS Bracket (1) to the Receiver (WPB-4.02 RX) using four (4) M3 x 5 Taptite screws (4).
- Connect the mounting bracket (3) to the adjustment bracket (2) with two (2) of the M5 x 10 Pan Head Screws (5).
- Repeat steps (a) and (b) to assemble the Safety Beam Transmitter (WPB-4.02TX).
- Mount the receiver on the side of the doorway / gateway closest to the opener / console and the transmitter on the other side in line with the receiver. The mounting surface should be rigid. Affix with a minimum of four (4) screws (not supplied).

**NOTE:** When using two (2) sets of Safety Beams within the opening you must alternative the configuration. See diagram below.



- ATA recommends the transmitter and receiver are placed in line of sight, with the beam 100mm above the ground level (as per AS60335). This can be achieved by ensuring the bottom of the receiver and transmitter are 65mm above ground level. They should also be placed as close as possible to the door / gate opening. In industrial applications it is recommended that multiple Safety Beams are fitted.

## Assemble Flush Mounting Kit (for minimum sideroom applications)

For applications which have limited space available or certain environmental factors a flush mounting kit can be used.

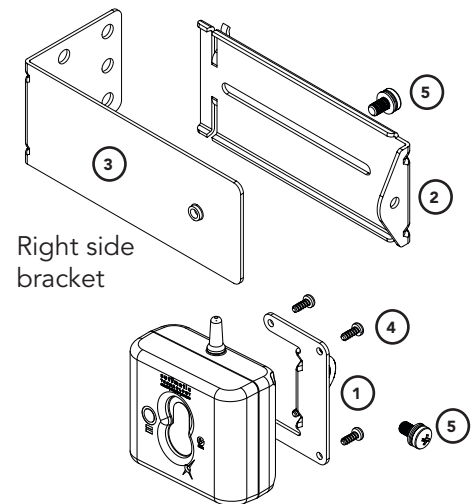
- Attached the transmitter (WPB-4.02TX) and receiver (WPB-4.02RX) to the two (2) PEB4-W1 Bracket (5) with the eight (8) M3 x 8 Taptite screws "P" (6).
- Ensure to take note of the ATA recommendation in step (e) above and fix the TX and RX to the wall or rigid surface using the two (2) 6.9 x 25 plastic wall plugs (8) (if wall) and two (2) M6 x 25 self tapping screws (7).

## Aligning the Transmitter and Receiver

- Make horizontal and/or vertical adjustment on the transmitter until the red LED on the receiver stays on, this indicates alignment.
- Make horizontal and/or vertical adjustment on the receiver until the red LED on the transmitter stays on, this indicates alignment.

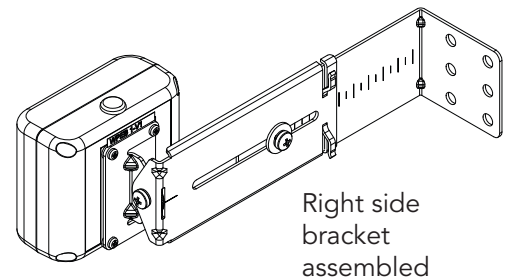
## Setting the limits

After aligning the safety beams, refer to the openers manual to set the travel limits. If opener has been installed previously, ensure you clear the limits and follows instructions to set limits again.



Right side bracket

**NOTE:** Mount the receiver on the side of the doorway / gateway closest to the base station.



Right side bracket assembled



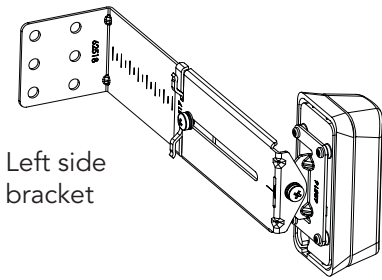
**WARNING!** When using PE Beams, the doorway must be clear of all obstructions and persons at all times. The location of the beams and manner in which it is installed might not give safety protection at all times. Check to make sure that the height of the beam and type used give maximum protection possible.



**WARNING!** PE beams must be installed if the closing force at the bottom edge of the door exceeds 400N (40kg force)

# PE 2000TS Kit

Refer to compatibility table (page 2) for Product compatibility.



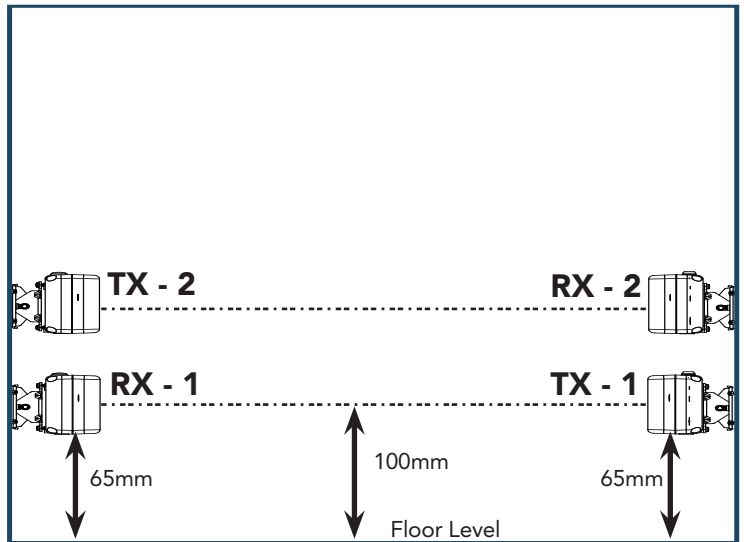
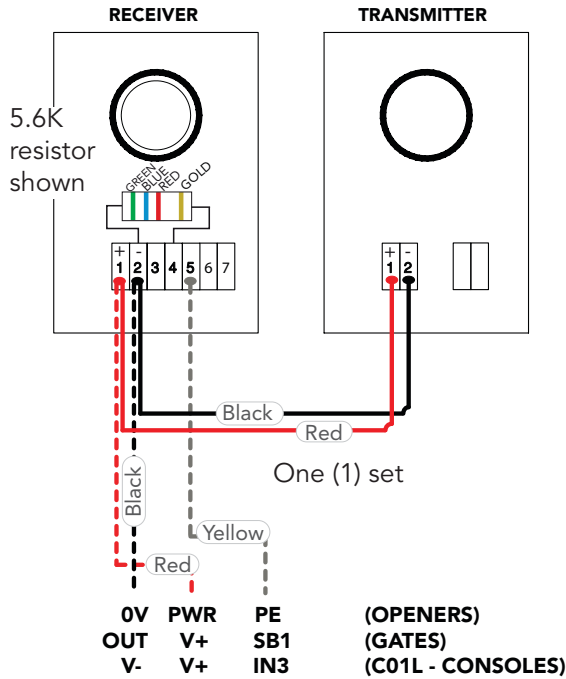
Left side bracket

**NOTE:** Mount the receiver on the side of the doorway / gateway closest to the opener / console.

### Assembling the Mounting Bracket

Assemble the mounting bracket as per instructions on page 2.

**NOTE:** When using two (2) sets of Safety Beams within the opening you must alternative the configuration. See diagram below.



a. ATA recommends the transmitter and receiver are placed in line of sight, with the beam 100mm above the ground level (as per AS60335). This can be achieved by ensuring the bottom of the receiver and transmitter are 65mm above ground level. They should also be placed as close as possible to the door / gate opening. In industrial applications it is recommended that multiple Safety Beams are fitted.

### Wiring the PE 2000TS

- Power off the opener.
- A resistor is required to detect a short in the wiring of the Safety Beam Receiver. Only one of the resistors is to be used inside the Receiver. Refer to compatibility table (page 2) for Product specific resistors.
- Connect the PE 2000TS to the opener / console as per the first wiring diagram for one (1) set of safety beams or second wiring diagram for two (2) sets of safety beams.

### Aligning the Transmitter and Receiver

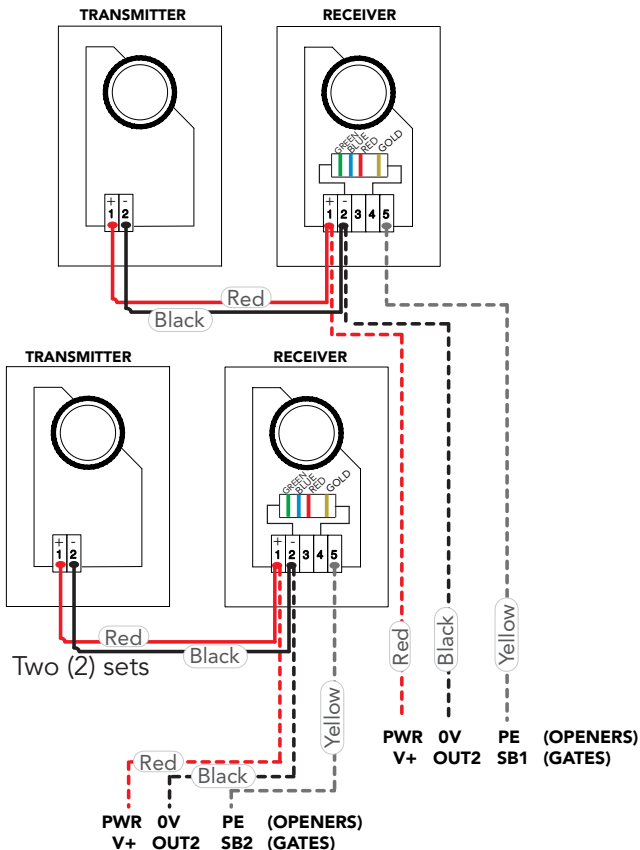
- Power up the opener with the safety beams connected. The green LED on the transmitter should turn ON to indicate power is present.
- If the receiver is connected to power and the red LED is flashing while the green LED on the transmitter is on, the transmitter and receiver are not aligned.
- Make horizontal and/or vertical adjustment on the transmitter and/or receiver until the red LED on the receiver turns on, indicating alignment.

### Setting the limits

After aligning the safety beams, refer to the openers manual to set the travel limits. If opener has been installed previously, ensure you clear the limits and follows instructions to set limits again.



**WARNING!** When using PE Beams, the doorway must be clear of all obstructions and persons at all times. The location of the beams and manner in which it is installed might not give safety protection at all times. Check to make sure that the height of the beam and type used give maximum protection possible.



# Troubleshooting

Symptom	Possible cause	Remedy
Base station and receiver LED's constantly on	Receiver is not coded into base station	Code the receiver into base station
Receiver LED constantly on but cannot close the door	Receiver not coded into base station Mains power is not switched on to the opener	Code the receiver into base station. Switch on mains power
Receiver LED is blinking and can not close the door	Receiver and transmitters not aligned properly Beam is obstructed	Realign receiver and the transmitter Remove obstruction from the path of the beam.
During optical alignment transmitter LED stopped working	Setup timed out	Press reset button on the transmitter.
During optical alignment receiver LED stopped working	Setup timed out	Press reset button on the base station.
Wireless PE beam works ok but LED's on receiver and transmitter stopped working	To save battery power LED on transmitter turns off after number of cycles	No remedy required.
LED on the receiver/transmitter started to flash during operation of the door	The battery in the receiver/transmitter is getting flat	Replace the batteries.

# Specifications

Technical Specifications	EasyBeam™	Wireless	PE 2000TS
Infrared beam range	20m	6m	20m
RF link range	-	10m	-
RF link frequency	-	2.4 Ghz ISM Band	-
Batteries for Wireless RX and TX	-	C-Type x 2	-
Battery Life	-	3 years approx.	-

# Maintenance & Warranty

To ensure a long and trouble free life for your Safety Beams, the following is recommended:

- Periodically test the Safety Beam is operating efficiently by obstructing either the transmitter or receiver during the openers operation to ensure the door / gate stops.
- If the Safety Beams are located in a very dusty / dirty environment make sure to clean transmitter and receiver lenses for optimal performance.
- Replace batteries in transmitter or receiver (Wireless WPE-1V1 only) when they start to flash during operation of the door / gate.

WARRANTY	
ACCESSORIES	1 year

Refer to our websites for full warranty details;

[www.automatictechnology.com.au](http://www.automatictechnology.com.au)

[www.bnd.com.au](http://www.bnd.com.au)

If you are a consumer under the Australian Consumer Law, our goods come with guarantees that cannot be excluded under the Australian Consumer Law. You are entitled to a replacement or refund for a major failure and for compensation for any other reasonably foreseeable loss or damage. You are also entitled to have the goods repaired or replaced if the goods fail to be of acceptable quality and the failure does not amount to a major failure. This warranty certificate and other statements contained in this document or other ATA documents given to you do not exclude, restrict or modify the application of all or any of the provisions of the Australian Consumer Law.

Subject to your non-excludable rights under the Australian Consumer Law, ATA expressly excludes any liability for consequential loss, incidental or indirect damages (including but not limited to damages for loss of business profits, business interruption and loss of business information) due to a defect of the Product. In particular, any loss or damage caused to other equipment or accessories used with the product or any loss resulting from a delay in repair is excluded to the extent permitted by law.

automatic  
TECHNOLOGY

6 - 8 Fiveways Boulevard, Keysborough, VIC, Australia 3173  
P: 1300 769 850 E: sales@ata-aust.com.au  
W: www.automatictechnology.com.au



B&D Doors is a division of B&D Australia Pty Ltd  
ABN 25 010 473 971

B&D Doors, 34-36 Marigold St, Revesby, NSW, 2212  
P: 13 62 63 E: enquires@bnd.com.au  
W: www.bnd.com.au