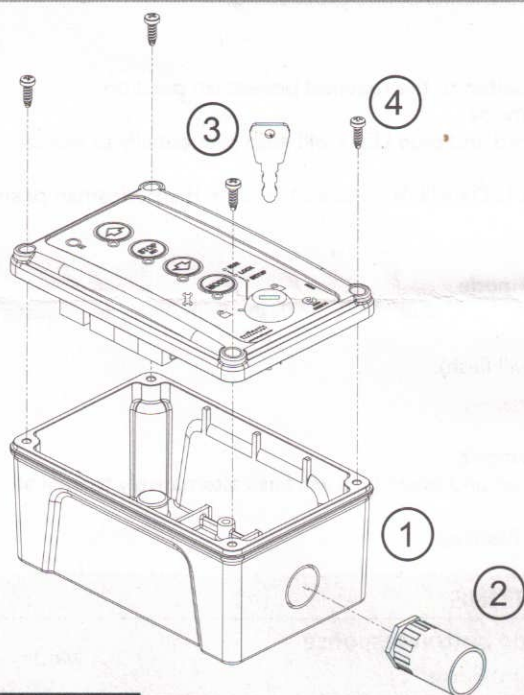


Manual Console C03M V1 Kit

Manual Wall Console Installation Instructions



MANUAL CONSOLE C03M KIT (ORDER # 18053)		
ITEM	DESCRIPTION	QTY
1	MANUAL CONSOLE BK C03M V1 AY	1
2	CABLE CONDUIT FITTING ADAPTOR 20MM	1
3	ACCESS KEY	2
4	TAPTITE SCREW "P" BLACK M4 X 12	4
5	PLUG RUBBER 10BK (NOT SHOWN)	4

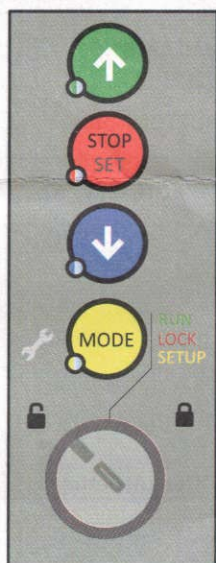


WARNING: It is vital for the safety of persons to follow all instructions. Failure to comply with the safety instructions may result in serious personal injury and/or property damage.

Disconnect the power cord from mains power before making any repairs or removing covers. Refer to Axess Pro Series Manual for all Safety Instructions.



WARNING: Ensure that the network cable is affixed properly and away from the moving parts of the shutter and opener.

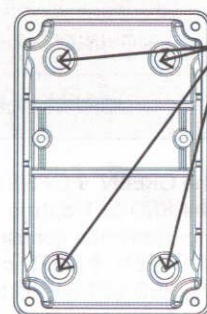


The Console has four (4) modes that once activated the word will illuminate to indicate which mode the console is set for. These are as follows:

- RUN MODE** RUN is illuminated. Door is controlled by console buttons and Control Inputs.
- RUN - LOCK MODE** RUN and LOCK are illuminated. By default this mode is not available. By enabling this mode and selecting an option the door can be controlled by the console only or by the control inputs only.
- LOCK MODE** LOCK is illuminated. Door control from console buttons and Control Inputs are disabled.
- SETUP** SETUP is illuminated. SETUP Enables access to setting travel limits, pedestrian position and adjustments.

Installing the Manual Console

- a. Affix the manual console at a height of 1.5 metres within sight of the shutter. Make sure that the position of the manual console is out of reach of children and convenient to the customer.
- b. Remove the main cover, mount through the four (4) holes with screws (not supplied), then insert the four (4) rubber plugs provided for water tightness.
- c. Connect the communication cable from the opener to the manual console unit.



Screw through the four (4) marked areas.

Setting Travel limits with Manual Console

- a. Turn on the power to the opener. After a short delay the blue close LED will start to flash.
- b. Ensure the key is in the unlock position.
- c. Press and hold the BLUE ↓ CLOSE button - the shutter should start closing.
 - i. If the shutter opens. release the CLOSE button and press the YELLOW MODE button once to change the motors direction. Press and hold the BLUE ↓ CLOSE button until the close position of the shutter is reached.
 - ii. If the shutter overshoots, press the GREEN ↑ OPEN button to move the shutter in the open direction.
- d. When the shutter is at the desired close position, press the RED SET button to record the close limit position. The green open LED will start to flash.
- e. Press and hold the GREEN ↑ OPEN button to open the shutter. When the shutter is at the desired open position, release the GREEN ↑ OPEN button.
 - i. If the shutter overshoots, press the BLUE ↓ CLOSE button to move the shutter in the CLOSE direction.



WARNING! Once the next step is performed, the shutter will automatically close and open to calculate travel time settings. Keep persons and objects clear of the shutter.

- f. Press the RED SET button to store the open limit. The shutter will now automatically close and open to calculate the travel time settings.
- g. Replace the main cover. The opener can now be operated with the GREEN ↑ OPEN button or BLUE ↓ CLOSE buttons on the manual console.

Clearing Travel Limits with the Manual Console

- Ensure the key is in the unlock position.
- Press and hold the YELLOW MODE button for 2 seconds to enter into setup mode.
- The word "SETUP" will illuminate next to the MODE button and the green, red and blue LED's will flash sequentially to indicate the console is in Setup mode.
- Press and hold the BLUE CLOSE button for two (2) seconds (the word SETUP and BLUE CLOSE LED will start flashing).
- Release the BLUE CLOSE button. The limits are now cleared. Ensure you set the limits before proceeding.

Setting the Pedestrian Position.

- Ensure the key is in the unlock position and the travel limits have been set.
- Drive the shutter using the BLUE ↓ CLOSE button or the GREEN ↑ OPEN button to the required pedestrian position.
- Press and hold the YELLOW Mode button for 2 seconds to enter into setup mode.
- The word "SETUP" will illuminate next to the MODE button and the green, red and blue LED's will flash sequentially to indicate the console is in Setup mode.
- Press and hold the GREEN ↑ OPEN button for 2 seconds (GREEN and BLUE LED's will illuminate to confirm the pedestrian position).

Recalling the Factory Default.

- Ensure the key is in the unlock position.
- Press and hold the YELLOW MODE button for 2 seconds to enter into setup mode.
- The word "SETUP" will illuminate next to the MODE button and the green, red and blue LED's will flash alternatively to indicate the console is in Setup mode.
- Press and hold the RED STOP button for 10 seconds (RUN and BLUE LED's will flash).

Setting Adjustment.

- Ensure the key is in the unlock position.
- Press and hold the YELLOW MODE button for 2 seconds to enter into setup mode.
- The word "SETUP" will illuminate next to the MODE button and the green, red and blue LED's will flash alternatively to indicate the console is in Setup mode.
- Press and hold the RED STOP button for 2 seconds (the word SETUP will be flashing).

SELECTION PATTERN and SETTING (off)						
	OUT1	OUT 2	OUT3	AUX Input	Mode button response in lock position	RUN LOCK Mode
VALUE PATTERN (flashing)	CLOSED STATUS* ¹			CLOSE	IGNORED*	NOT AVAILABLE*
	STOPPED STATUS			STOP*	RUN → RUN LOCK → LOCK →	CONSOLE BUTTONS only
	OPEN STATUS* ²			OPEN	RUN ↔ RUN LOCK	CONTROL INPUTS only
	CLOSING STATUS			LIGHT	RUN LOCK ↔ LOCK	
	OPENING STATUS			PEDESTRIAN		
	MOVING STATUS* ³					
	LIGHT STATUS					

*Default Setting

- Press the GREEN ↑ OPEN or the BLUE ↓ CLOSE buttons to change the pattern.
- Press the RED SET button to enter edit mode (the spanner will start flashing), the setting's value pattern is now flashed, refer to the table above to obtain the corresponding value.
- Use the GREEN ↑ OPEN or the BLUE ↓ CLOSE buttons to change the value pattern of that of the required value.
- Press the RED SET button to save the new value or press MODE to cancel without saving.
- Continue from step e to edit another setting or press MODE to exit back to SETUP MODE.

OUT1, OUT2 or OUT3

Various status signals listed in the table above can be used from OUT1, OUT2 and OUT3 to control other devices such as alarm, dockleveler and relays etc. A transistor controlled outputs can sink 100 MA MAX.

NOTE: An Optional Relay Module (RLM-01) with three (3) relays suitable for the Manual Console C03M is available from ATA.

AUX Input

A normally open push button can be connected across 0V and AUX input. By default it will act as STOP button. AUX input can be programmed to act as any of the following: close, stop, open, light or pedestrian push button.

MODE Button response in key lock position

The MODE switch can be programmed according to the requirements to act differently when the key is in the lock position. Refer to the column "Mode button response in lock position" in the table above.